

HEADLINES

EURO CHAIRS MANUFACTURER (M) SDN BHD 164921 - X
EURO CHAIRS SYSTEM SDN BHD 121935 - M
EURO SPACE INDUSTRIES (M) SDN BHD 105420 - W
EURO SPACE SYSTEM SDN BHD 378220 - D
EUROSTEEL LINE SDN BHD 890287 - M
EUROSTEEL SYSTEM SDN BHD 885526 - M

Wisma Euro, Lot 21, Rawang Industrial Estate,
48000 Rawang, Selangor Darul Ehsan, Malaysia

TELEPHONE

+603 6092 6666

DOMESTIC FAX

+603 6092 2500

INTERNATIONAL FAX

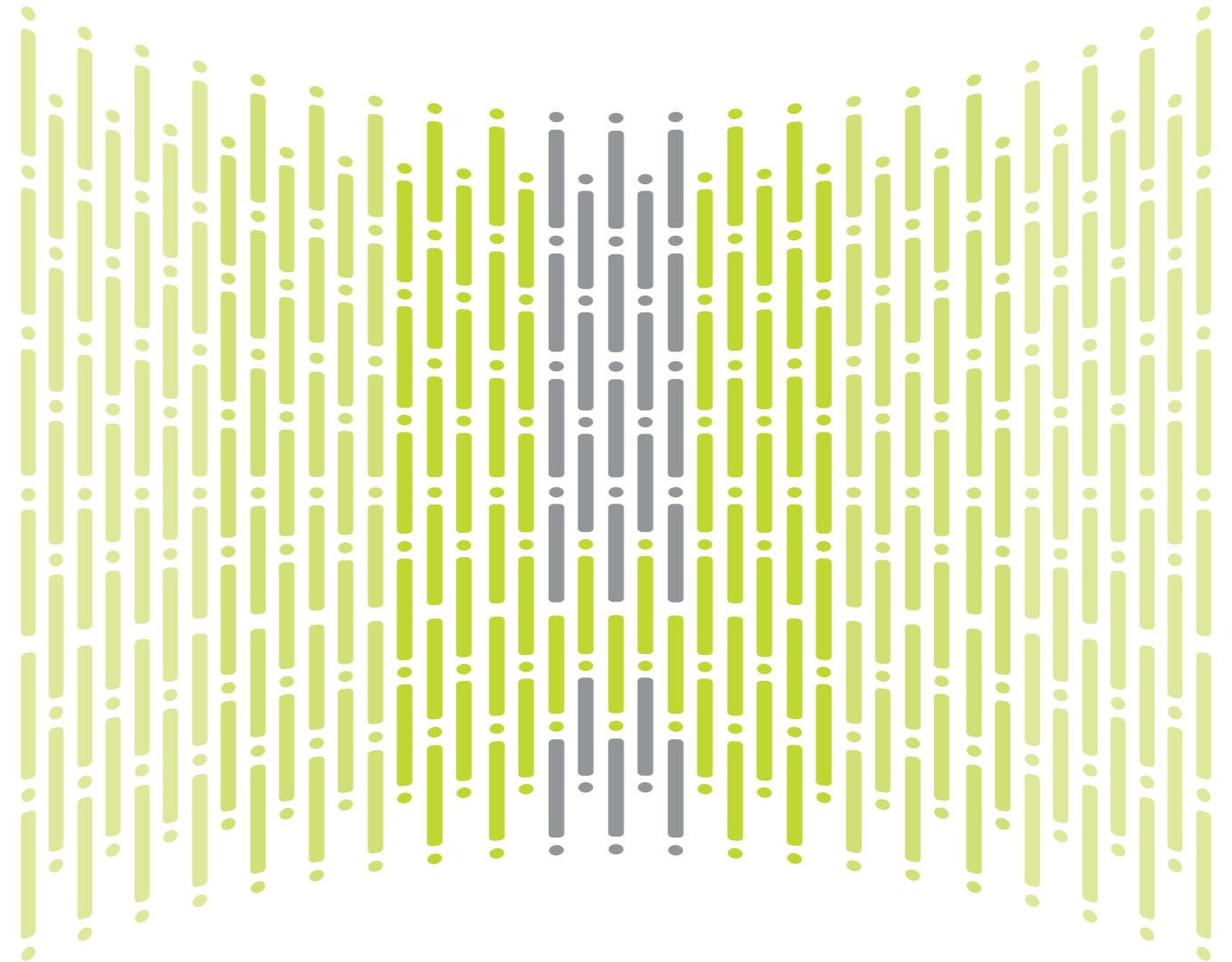
+603 6092 3000

WEBSITE

www.eurochairs.com

EMAIL

sales@eurochairs.com



Comfort. Choices. Colours. Chairs to take on the corporate world.

Whatever your business may be, there's a EURO commercial chair waiting to offer you that executive feeling when you sit on it. Choose from 6 colours – green, orange, white, black, blue and maroon – to brighten up or blend into your surroundings.



Cool.

COMPOSED. IN CONTROL.

Keep your cool when the heat is on. Handcrafted and padded with superior quality, the Headlines Chair is designed with a perforated backrest for maximum body heat ventilation. It is also shaped to provide dynamic support for your back.



Nothing says vibrant and vivacious better than our chairs. These chairs will stimulate and provide the much-needed energy and warmth to your workspace.

All Headlines Chairs come with lockable tilt positions, depth-adjustable and pneumatic height adjustable seat.



SHOW YOUR TRUE
Colours.

GO FOR
GOLD.

Bring out your best with Headlines Chair, with ample back support and unique arm rests, it's simplicity at its best.



Overcome Monday blues with an inspiring and stylish touch. Perfect for offices looking for a refreshing change, it projects freshness and newness to your surroundings.



BRILLIANTLY
Blue.

Naturally

COMFORTABLE.

Managing deadlines has never felt better with our Headlines Chairs. Every contour is calculated and shaped to reflect the size of the sitter, with easy customisation to accommodate your preference.



THE MANY SHADES OF PRODUCTIVITY.

Our unique Headlines Chairs are also available in other colours for your selection. Made of sturdy material and equal in height, these chairs will breathe more life into your surroundings.



A REFLECTION OF YOUR STATUS.

When choosing for the right chair for your office, Headlines Chairs bring ergonomic and comfort in the professional workspace. Also, it's packaged to fit comfortably into your workspace and budget.

Plastic



i Backrest
Sporting 6 colours of your choice, the inner and outer frame are made from nylon to provide lumbar support.

ii Adjustable Armrests
Soft padded for comfort with high-density foam.

Features include:

- Retractable armrests to provide forearm support
- Left and right rotation to suit your preference
- Adjustable arm height (within 85mm) to help relieve upper back and reduce shoulder fatigue.

iii Dynamic Mechanism
Utilises full-synchronised mechanism (tilt mechanism with multi-position locking), tension adjustment and seat height and depth adjuster.

iv Chair Support
Equipped with hard dual-wheels for mobility in nylon or polish finish (applicable to leather upholstery only).

THE BEST SEATS ARE NOW IN YOUR WORKSPACE.

Mesh

Fabric

Leather

Leather with head rest



Material which using are 80% eco-friendly. Multiple options for reutilization and recycling.

TAILORED TO YOUR COMFORT.

High Back



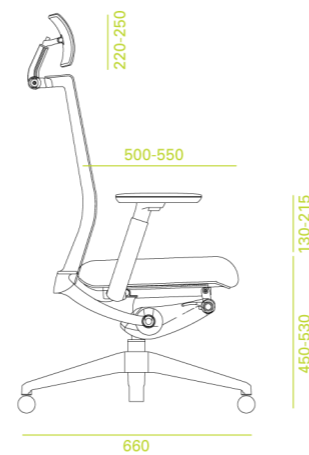
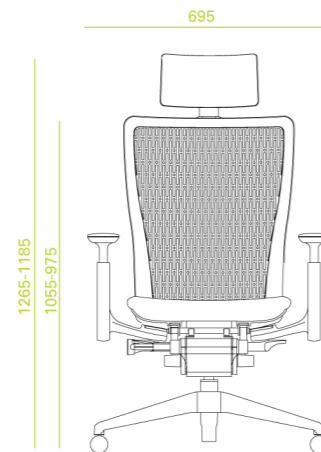
MS 2910FF-05M3

- High-back with full fabric upholstered
- Synchro-tilt mechanism with infinite locking position
- Black nylon armrest
- Black nylon five-star base with castors



MS 2910LL-22M3

- High-back with full leather upholstered
- Synchro-tilt mechanism with infinite locking position
- Black nylon armrest
- Aluminium base with polish finishing



DIMENSIONS AND SPECIFICATIONS

Medium Back



MS 2911KEF-05M3

- Plastic Mid-back and upholstered fabric seat
- Synchro-tilt mechanism with infinite locking position
- Black nylon armrest
- Black nylon five-star base with castors



MS 2911KNF-05M3

- Mesh Mid-back and upholstered fabric seat
- Mesh back rest comes with lumbar support
- Synchro-tilt mechanism with infinite locking position
- Black nylon armrest
- Black nylon five-star base with castors



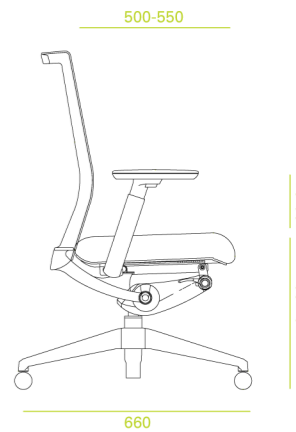
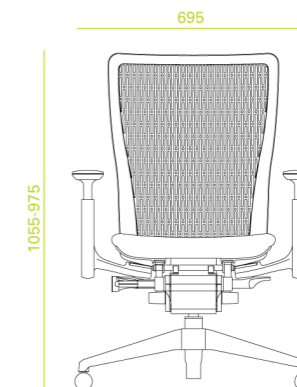
MS 2911FF-05M3

- Mid-back with full fabric upholstered
- Synchro-tilt mechanism with infinite locking position
- Black nylon armrest
- Black nylon five-star base with castors



MS 2911LL-22M3

- Mid-back with full leather upholstered
- Synchro-tilt mechanism with infinite locking position
- Black nylon armrest
- Aluminium base with polish finishing





ISO 9001 : 2008
 ISO 14001 : 2004
 OHSAS 18001 : 2007
 CERTIFIED FIRM



Low Back

Cantilever



GS 2912 KNF-03G4B

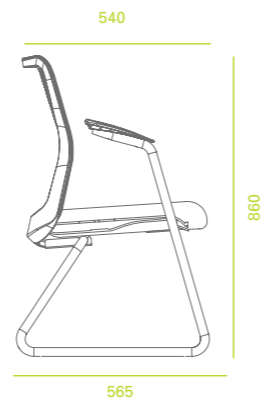
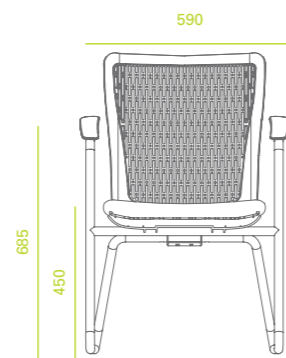
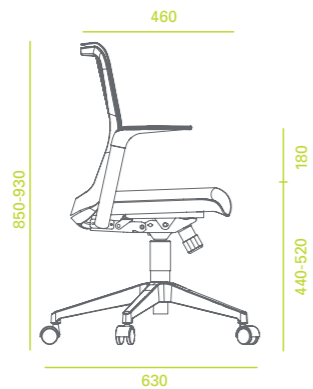
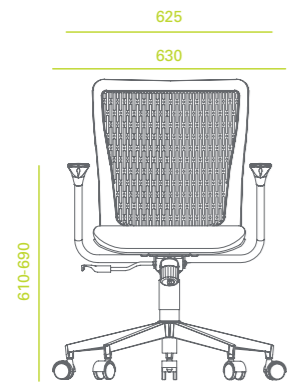
- Syncho-tilt mechanism
- Netting & fabric upholstery
- Fixed armrest in black epoxy powder-coat
- Black nylon five star base with castors

GS 2912 FF-03G4B

- Syncho-tilt mechanism
- Fabric upholstery
- Fixed armrest in black epoxy powder-coat
- Black nylon five star base with castors

CA 2915-KNF

- Low-Back Backrest
- Netting & fabric Upholstery
- Cantilever base



DIMENSIONS AND SPECIFICATIONS



THE BRANDLAUREATE AWARDS
 BEST BRANDS 2010-2011
 (Best Brand Award)



THE MALAYSIA INTERNATIONAL
 FURNITURE FAIR (MIFF) 2011
 (Best Presentation Bronze Award)



MALAYSIAN FURNITURE
 LEADERSHIP AWARD 2010
 (Best overall Award)



MALAYSIAN FURNITURE
 LEADERSHIP AWARD 2010
 (Brand Excellent Award)



ASIAN FURNITURE
 LEADERSHIP AWARD 2010
 (Brand Excellent Award)



MALAYSIAN FURNITURE
 LEADERSHIP AWARD 2009
 (Entrepreneur Of The Year)



THE BRAND LAUREATE
 SMES MASTERS AWARD 2009
 Best Brand Award
 (Manufacturing Office
 Furniture Category)



THE MALAYSIA INTERNATIONAL
 FURNITURE FAIR (MIFF) 2006
 (Furniture Excellence Award)