



EURO CHAIRS MANUFACTURER (M) SDN BHD 164921 - X  
EURO CHAIRS SYSTEM SDN BHD 121935 - M  
EURO SPACE INDUSTRIES (M) SDN BHD 105420 - W  
EURO SPACE SYSTEM SDN BHD 378220 - D  
EUROSTEEL LINE SDN BHD 890287 - M  
EUROSTEEL SYSTEM SDN BHD 885526 - M

Wisma Euro, Lot 21, Rawang Industrial Estate,  
48000 Rawang, Selangor Darul Ehsan, Malaysia.

telephone +603 6092 6666  
domestic fax +603 6092 2500  
international fax +603 6092 3000  
website www.eurochairs.com  
www.eurosteelline.com  
email sales@eurochairs.com  
sales@eurosteelline.com



ISO 9001 : 2000  
ISO 14001 : 2004  
OHSAS 18001 : 2007  
CERTIFIED FIRM



MALAYSIAN FURNITURE  
LEADERSHIP AWARD 2009  
(Brand Excellence Award)  
(Product Excellence Award)



ASIAN FURNITURE  
LEADERSHIP AWARD 2009

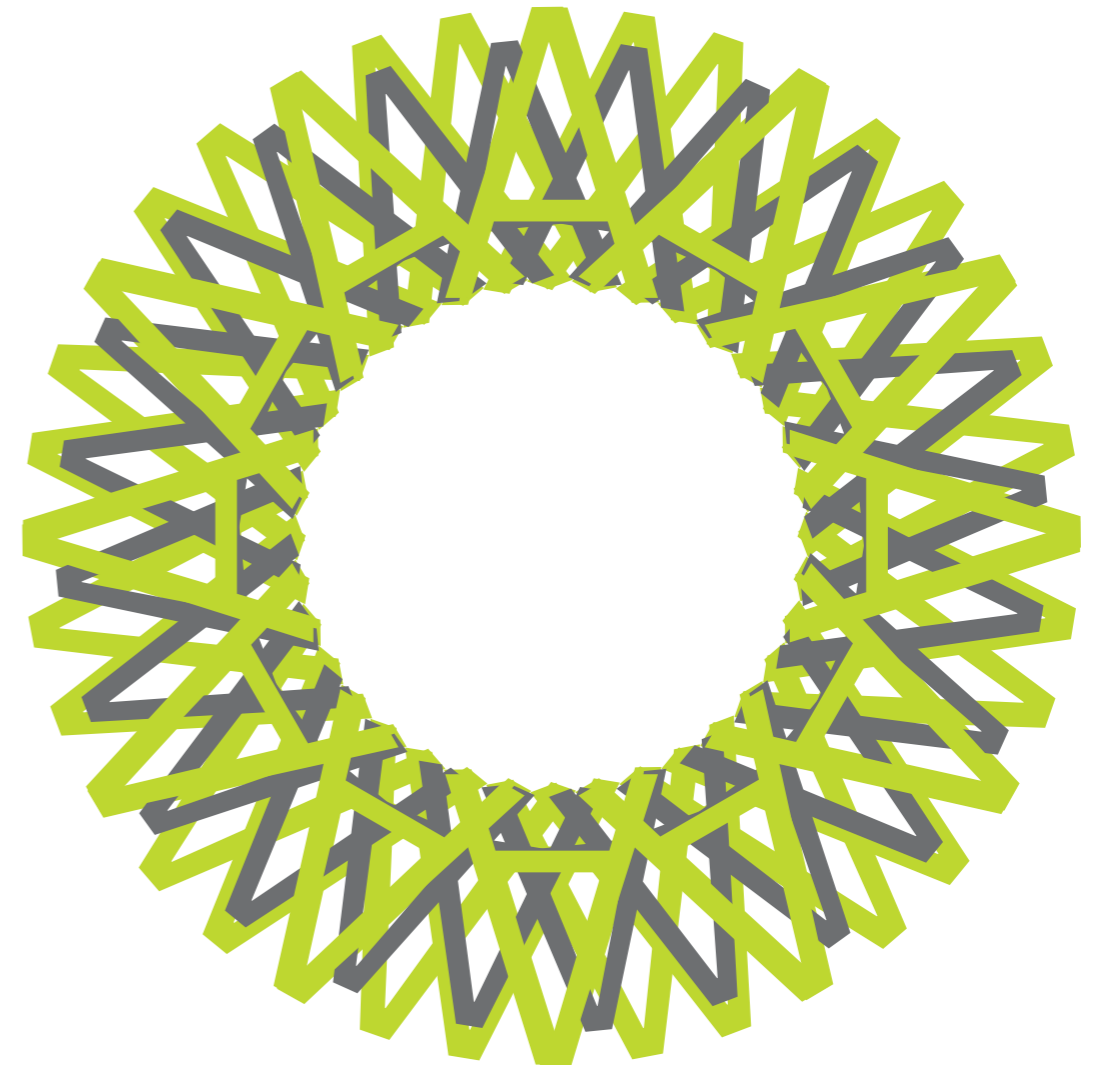


MALAYSIAN FURNITURE  
LEADERSHIP AWARD 2009  
(Entrepreneur Of The Year)



THE BRANDLAUREATE  
SMES MASTERS AWARD 2009  
Best Brand Award  
(Manufacturing Office  
Furniture Category)

# ACTIVE



whether it's any

# height

**IT WORKS TOWARDS THE WAY YOU WORK.**

Active chairs are designed to meet the demands in today's environment. Versatile and comfortable, it's capable of shaping itself to your body contours, ensuring that you enjoy maximum comfort and more importantly, your health while at work.



low back



medium back



high back





● whether it's any  
**size**

**TURNAROUND THE WAY YOU WORK.**  
A swivel range of chairs outfitted with the "similar" mechanism and seat tilting & sliding apparatus, Active chairs add more depth and flexibility to your workspace. Together with its creative structural design and sleek exteriors, Active chairs are made to make an impression even before you sit on it.



whether it's any

# form

**FITS PERFECTLY WITH YOUR PLANS.**

Adaptable to all sizes, you can now enjoy the best seat in your office with this forward-thinking chair. From an extensive range of clerical, managerial and cantilevered visitor chair designs, there's an Active chair that's fit into your business and budget.





## STYLISHLY DESIGNED, HOWEVER YOU LOOK AT IT.

This chair never fails to make an impression. Sleek and simple, this chair will complement any business with its classic look.



### flexible

Available with 3 different mechanisms - standard synchronised (3 lockable positions), optional synchronised (4 lockable positions) and optional permanent contact (2 lockable positions) - to ensure that you fit comfortably in it.

### adjustable

A versatile seat rest that's adjustable by simply sliding in and out, choose from fabric or leather.

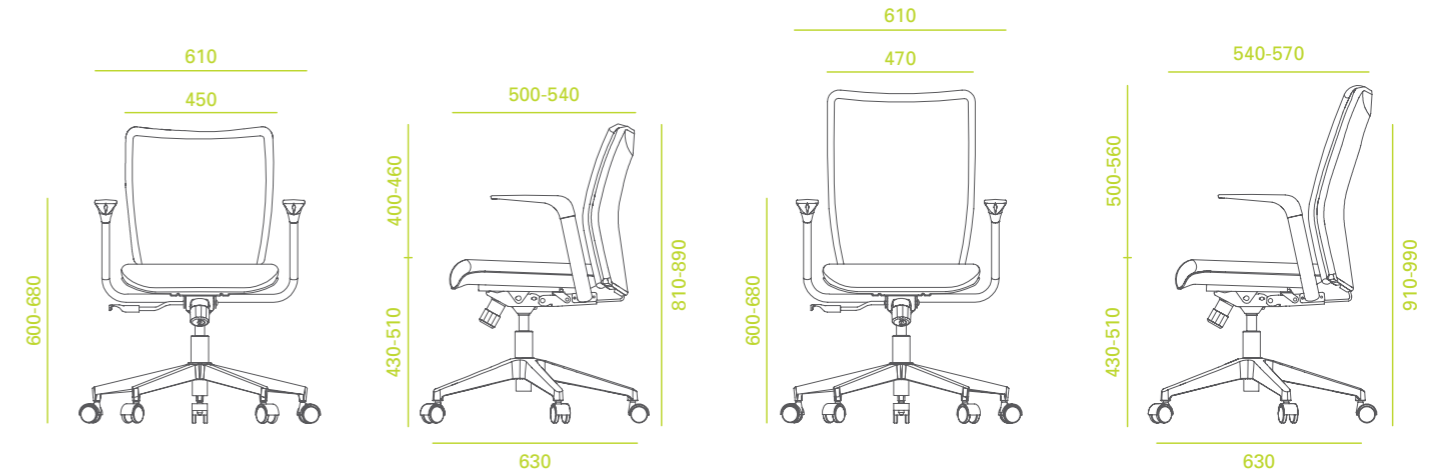
### multi-lockable & multipurpose

Backrest can be adjusted according to your desired height.

### total comfort

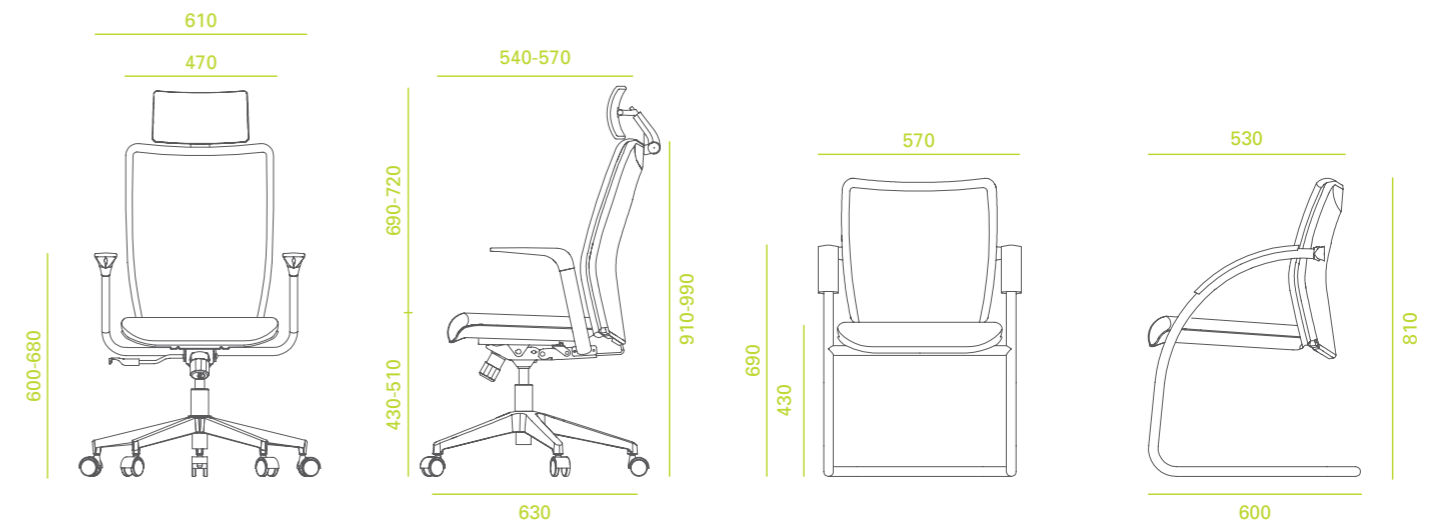
Complemented with an Active armrest, this classic chair is surely an asset to any business.

## DIMENSIONS AND SPECIFICATIONS



LOW BACK

MEDIUM BACK



HIGH BACK

CANTILEVER

# IT'S EASY TO WORK WITH. IT'S ALSO EASY TO REST ON.

## VISITOR/ MEETING



**CA2815F**  
 • Low-back backrest  
 • Fabric upholstery  
 • Cantilever base

## CLERICAL/ MANAGER



**GS2812F03G4B**  
 • Synchronised mechanism  
 • Low-back backrest  
 • Fabric upholstery  
 • Black nylon five-star base with castors  
 • Fixed armrest in black epoxy powder-coat



**GS2811F03G4B**  
 • Synchronised mechanism  
 • Medium-back backrest  
 • Fabric upholstery  
 • Black nylon five-star base with castors  
 • Fixed armrest in black epoxy powder-coat



**GS2810F03G4B**  
 • Synchronised mechanism  
 • High-back backrest  
 • Fabric upholstery  
 • Black nylon five-star base with castors  
 • Fixed armrest in black epoxy powder-coat

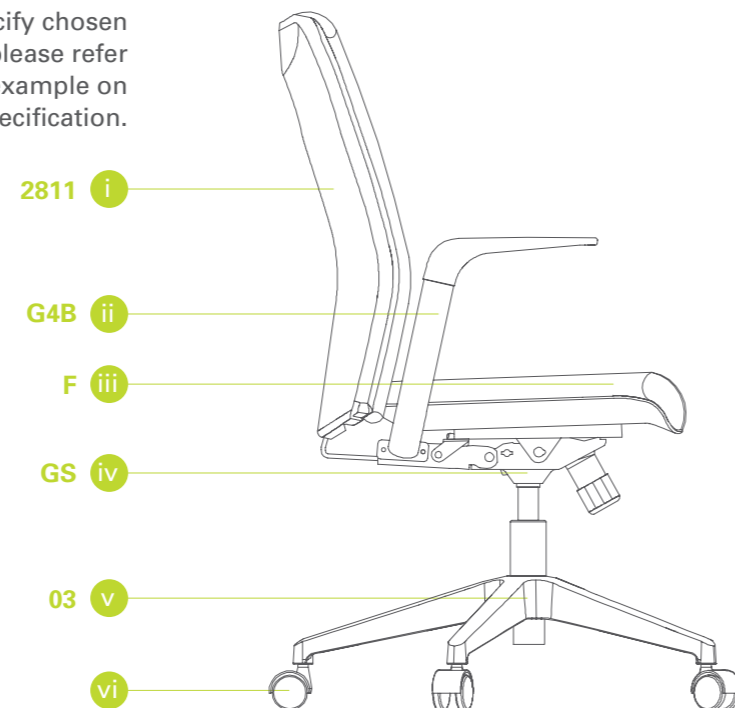


**GP2712F03G4B**  
 • Permanent contact mechanism  
 • Low-back backrest  
 • Fabric upholstery  
 • Black nylon five-star base with castors  
 • Fixed armrest in black epoxy powder-coat



**GS2711F03G4B**  
 • Synchronised mechanism  
 • Medium-back backrest  
 • Fabric upholstery  
 • Black nylon five-star base with castors  
 • Fixed armrest in black epoxy powder-coat

To specify chosen model, please refer to given example on code specification.



	DESCRIPTION	STANDARD	CODE	OPTIONAL	CODE
i	Backrest	Low-back	2812	-	-
		Mid-back	2811	-	-
		High-back	2810		
ii	Armrest	Black epoxy powder-coat	G4B	Silver epoxy powder-coat	G4S
iii	Upholstery material	Fabric	F	PVC	P
				Leather	L
iv	Mechanism	Synchronised mechanism	GS	Permanent contact mechanism	GP
v	Five-star base	Black nylon	03	Aluminium in black epoxy powder-coat	20
				Aluminium in silver epoxy powder-coat	21
				Aluminium in polish finish	22
vi	Base caps	Castors		Gliders	G