

RUNWAY



EURO CHAIRS MANUFACTURER (M) SDN BHD 164921 - X
EURO CHAIRS SYSTEM SDN BHD 121935 - M
EURO SPACE INDUSTRIES (M) SDN BHD 105420 - W
EURO SPACE SYSTEM SDN BHD 378220 - D

Wisma Euro, Lot 21, Rawang Industrial Estate,
48000 Rawang, Selangor Darul Ehsan, Malaysia.

telephone +603 6092 6666
domestic fax +603 6092 2500
international fax +603 6092 3000
website www.eurochairs.com
email sales@eurochairs.com



ISO 9001 : 2000
ISO 14001 : 2004
OHSAS 18001 : 2007
Certified Firm



THE BRAND LAUREATE
2007 - 2008
(THE GRAMMY AWARDS
FOR BRANDING)
Best Brand Award
(Office Furniture Category)



GOLDEN BULL AWARD 2008
Outstanding SMEs Winner



FURNITURE LEADERSHIP
AWARD 2008
Entrepreneur Of The Year



FURNITURE LEADERSHIP
AWARD 2008
Winner Of Gold Award



PARADE YOUR BEST WORK

Make way for this season's latest interpretation of spacious desking system from Euro. Designed with space in mind, the concept is simple yet surprisingly multifaceted, giving your imagination more room to wander and inevitably, more ideas for your business.

With 3 different types of desking solutions to choose from for unlimited possibilities, this is where imagination meets clarity, thus allowing you to produce and perform your best at work.

EXECUTIVE TABLE



MULTI-USER WORKSTATION



CONFERENCE TABLE





CLARITY, CONFIDENCE AND COMPOSURE

That's the image an executive should project when pitching for the business deal, giving an inspiring pep talk to the team, or making the next all-important decision for the future of the business.



A CLEAR DESK KEEPS THE CLUTTER AT BAY

If time is precious, then surely space must be worth much more. The multi-user workstation shown above provides the personal space needed to generate ideas and next steps, yet giving them the freedom to express themselves with their peers.



MAKE YOURSELF HEARD, CLEAR AS DAY

With all the functions and none of the clutter, the Runway conference tables are made to inspire interactivity and idea generation within every participant in your next meeting, ensuring that every meeting will be a highly productive session.



MORE SPACE FOR LESS DISTRACTION

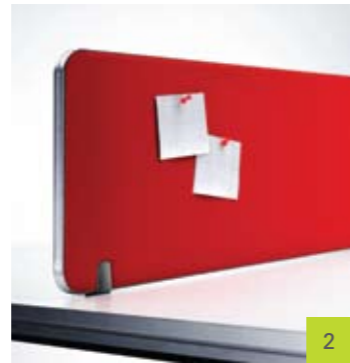
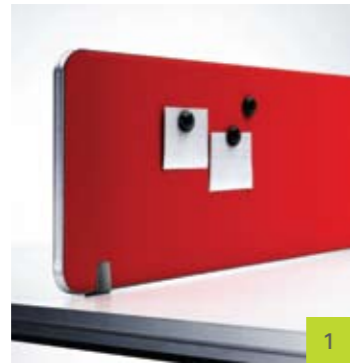
Clear your space, and your mind with wire management solutions that will help promote clarity at your workspace. Especially suitable for company's that requires extensive cabling, these efficient yet effective solutions will save you time and trouble.



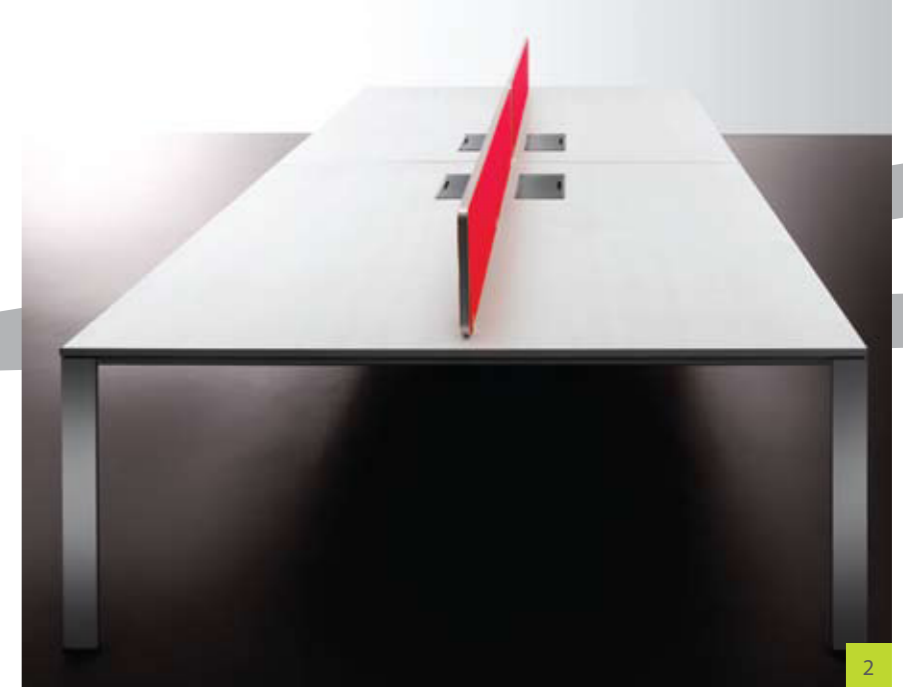
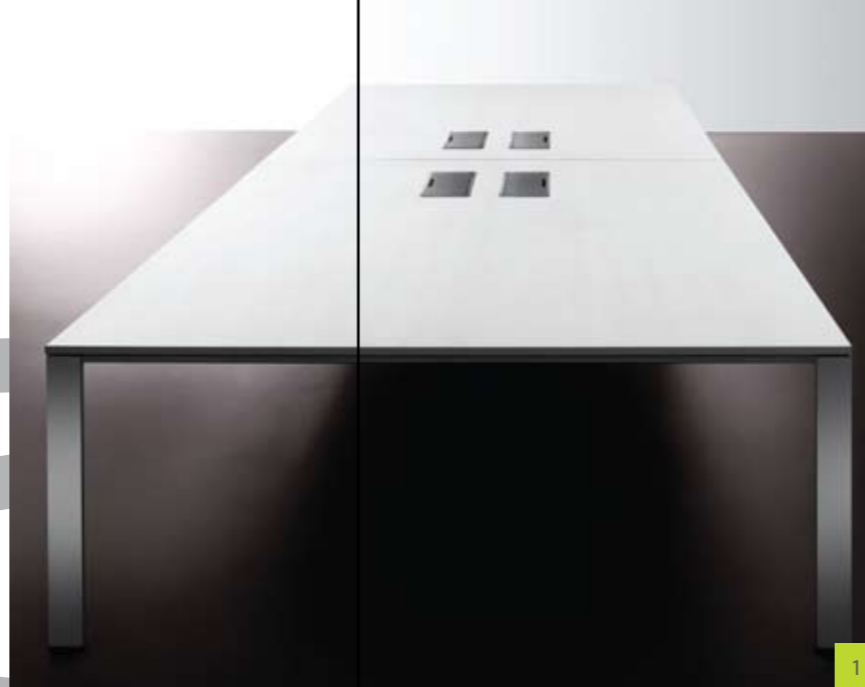
1. Wire console 2. Flip-up wire tray
3. Wire clip 4. Skeleton cable duct

EXPAND AND EXCEL

Euro's desking solutions are catered to meet your specifications and demands for a conducive working environment. Choose from an array of desking accessories that will maximize every inch of space in your office.



1. Magnetic fabric 2. Pin up fabric 3. Laminated 4. Accessories 5. Mobile storages
6. Dual Sliding cabinet with cushion 7. Intermediate support 8. End support



OPEN UP TO MORE OPPORTUNITIES

Euro Runway will change your view on space usage. So multipurpose are its desking solutions, it provides ample room for employees to discuss and develop, yet a simple add-on gives your employees the necessary space they need to cultivate. Join two workstations together, and they form as a full-fledged conference table.

- 1. Open space
- 2. Workstation table
- 3. Conference table

WHICHEVER WAY
YOU SEE IT, **RUNWAY**
DESKING SOLUTIONS
WILL ENCOURAGE
YOUR EMPLOYEES TO
SHOWCASE THEIR BEST
WORK FOR YOU.

RUNWAY

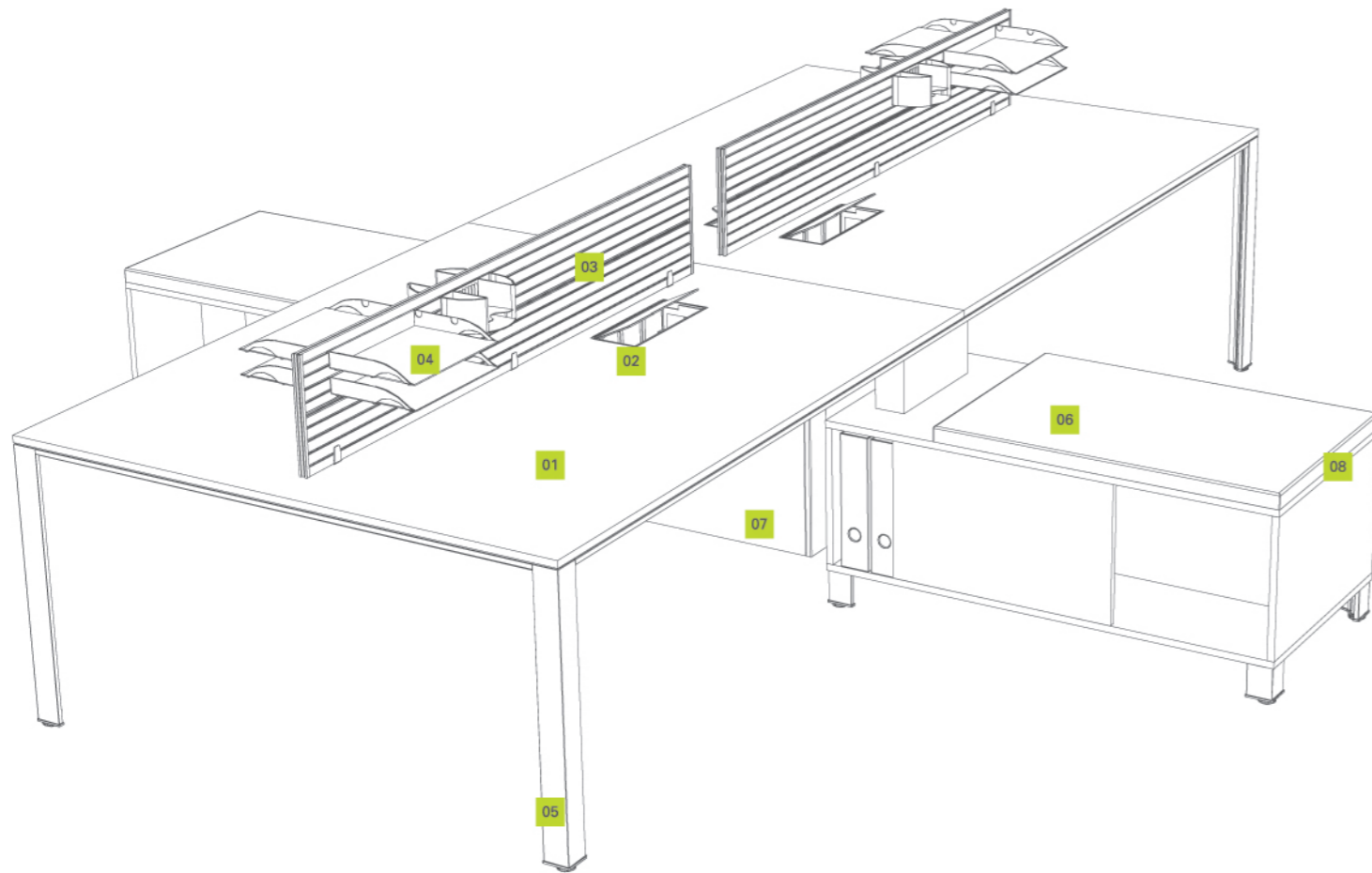
FUNCTION
COMPONENTS

SYSTEM
COMPONENTS

FUNCTION COMPONENTS

OVERVIEW

- 01 WORKSURFACE
- 02 FLIP-UP WIRE TRAY
- 03 SIT-ON ACCESSORIES CROSS BAR
- 04 ACCESSORIES TRAY
- 05 END SUPPORT
- 06 CUSHION
- 07 WIRE CONSOLE
- 08 DUAL SLIDING SIDE RETURN CABINET



LEG SUPPORT PROFILE
END SUPPORT



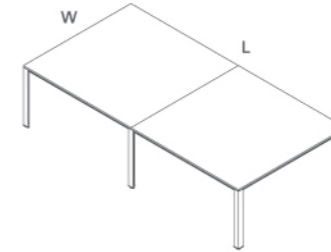
INTERMEDIATE SUPPORT



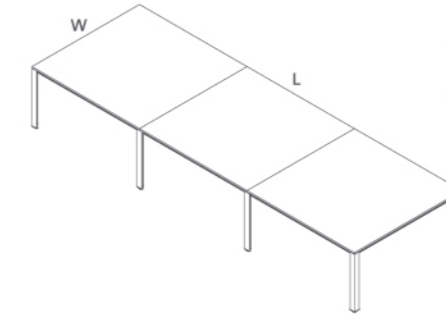
SYSTEM COMPONENTS

MULTI-USER WORKSTATION

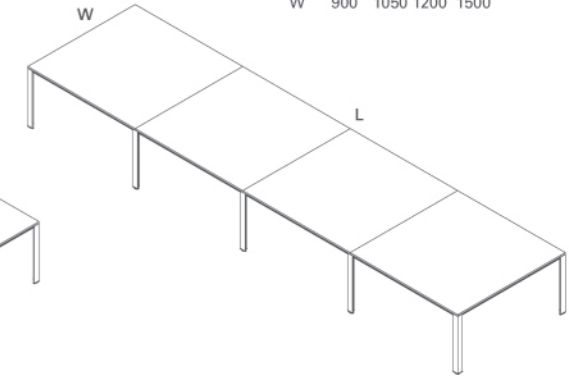
MAIN TABLE A
L 2400 3000
W 900 1050 1200 1500



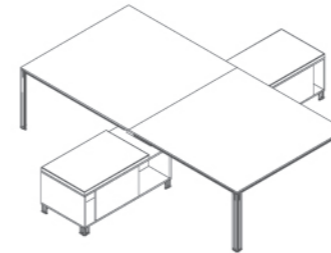
MAIN TABLE B
L 3600 4500
W 900 1050 1200 1500



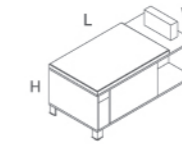
MAIN TABLE C
L 4800 6000
W 900 1050 1200 1500



WITH DUAL SLIDING SIDE
RETURN CABINET SUPPORT

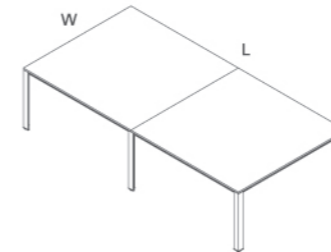


DUAL SLIDING SIDE
RETURN CABINET
L 1200 1350 1500
W 650
H 550

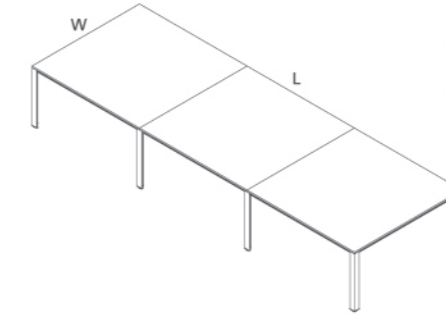


CONFERENCE TABLE

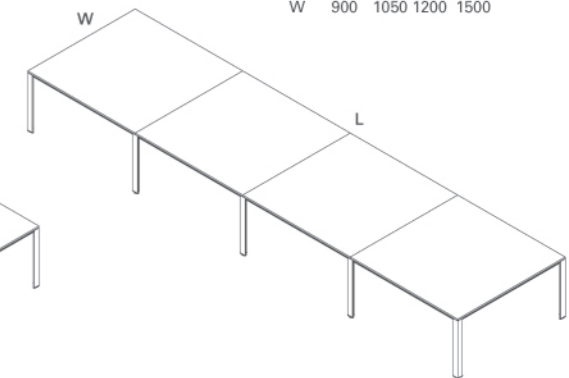
MAIN TABLE A
L 2400 3000
W 900 1050 1200 1500



MAIN TABLE B
L 3600 4500
W 900 1050 1200 1500



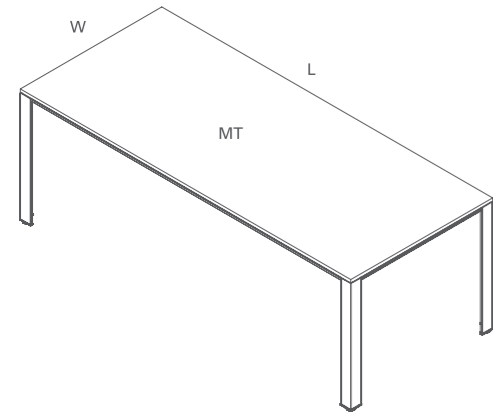
MAIN TABLE C
L 4800 6000
W 900 1050 1200 1500



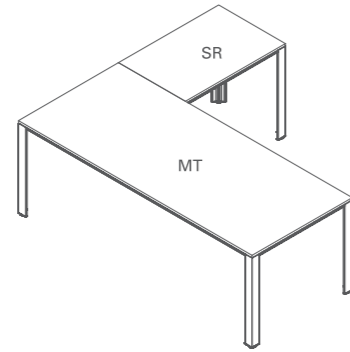
SYSTEM COMPONENTS

EXECUTIVE DESK

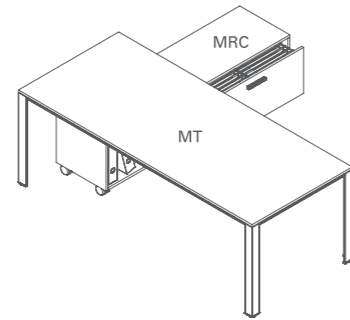
MAIN DESK(MT)
L 1500 1650 1800 2100
W 750 900 1050



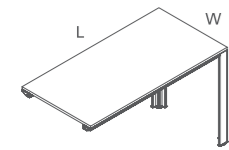
WITH SIDE RETURN



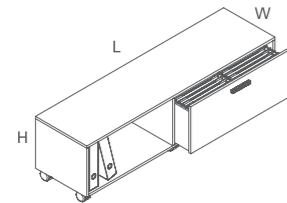
WITH MOBILE RETURN CABINET



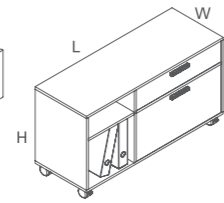
SIDE RETURN(SR)
L 900 1050 1200
W 450 600



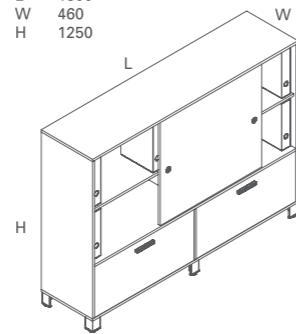
MOBILE RETURN CABINET(MRC)
TYPE A
L 1650
W 450
H 500



MOBILE RETURN CABINET(MRC)
TYPE B
L 1200
W 450
H 670

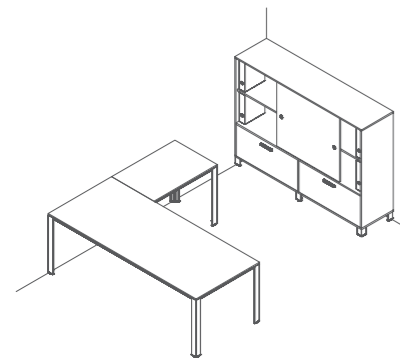


CREENZA CABINET(CC)
L 1800
W 460
H 1250

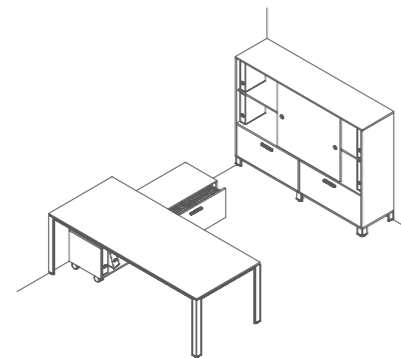


LAYOUT

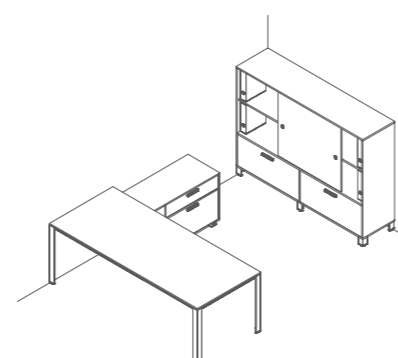
CONFIGURATION A



CONFIGURATION B



CONFIGURATION C



ALL DIMENSIONS ARE SPECIFIED IN MILLIMETERS

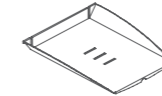
SYSTEM COMPONENTS

ACCESSORIES

HORIZONTAL PAPER TRAY



VERTICAL PAPER TRAY



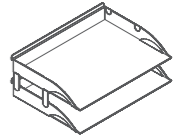
BOX FILE



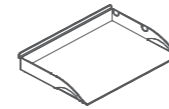
TELEPHONE TRAY



STACKABLE PAPER TRAY



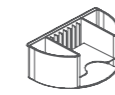
HOOK-ON PAPER TRAY



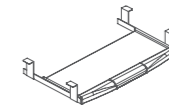
PENCIL TRAY



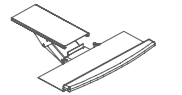
MULTI-ACCESSORIES TRAY



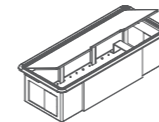
KEYBOARD TRAY



ADJUSTABLE KEYBOARD TRAY



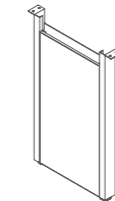
FLIP-UP WIRE TRAY



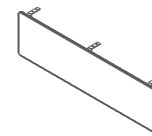
SKELETON CABLE DUCT



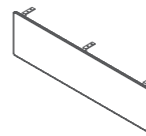
WIRE RISER



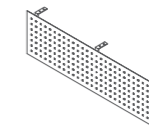
HANGING WOODEN MODESTY PANEL



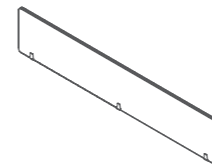
HANGING FABRIC MODESTY PANEL



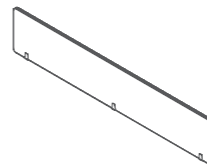
HANGING METAL MODESTY PANEL



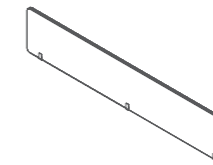
SIT-ON FABRIC DIVIDER SCREEN



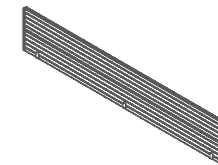
SIT-ON MAGNETIC DIVIDER SCREEN



SIT-ON LAMINATED DIVIDER SCREEN



SIT-ON ACCESSORIES DIVIDER SCREEN



ALL DIMENSIONS ARE SPECIFIED IN MILLIMETERS