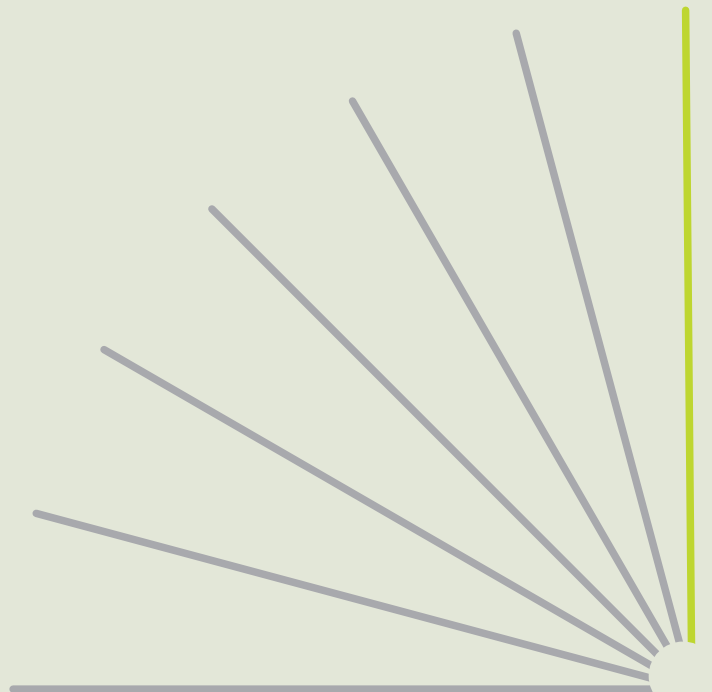


**FITZ**



# FOLDABLE STACKABLE PORTABLE

Simple yet practical, FITZ chairs include foldable seats and smart armrests for easy stacking and mobility. A lightweight champion in its category, FITZ chairs can be stacked vertically or arranged horizontally for easy storing and floor space saving.





SMART



INNOVATIVE



EFFICIENT







# HOLD MEETINGS, CONFERENCES AND YOUR AUDIENCES' ATTENTION

Perfect for meetings and conferences held frequently at convention halls or small meeting areas, FITZ chairs can be deployed quickly and easily managed when you need to make a point with your audience.



# SUPPORT WHEN YOU NEED IT MOST

Aside from its stylish appearance, FITZ chairs are also ergonomically designed for total comfort and outstanding back support to provide relief, even when its crunch time at work.



## **1. Backrest**

Choose from 6 colours to brighten up your office space, while its perforated backrest lets your body breathe easy with maximum body heat ventilation.

## **2. Armrests**

Equipped with black armpads, you can also opt with or without arm rests for more arm space.

## **3. Seatrest**

Rest easy with plastic or fabric upholstery. Be spoilt for choices with various fabric colours.

## **4. Chair Support**

Enjoy flexibility with 3 different bases (stackable metal round pipe, flipable metal round pipe or 5-stars hard dual-wheels) and customisable glider/castors. FITZ chairs are what every body needs for a comfortable workspace.

# CONVENIENCE AND COMFORT IN ALL COLOURS

Easily transported from room to room, FITZ chairs are distinct office furniture that will surely brighten up a room with its eye-catching colours and trendy style.



BLACK

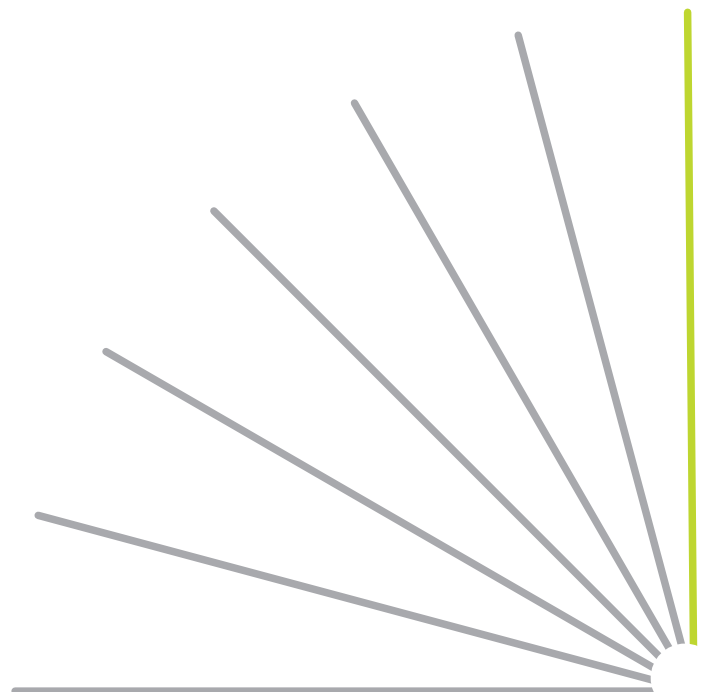
GREEN

WHITE

BLUE

GREY

RED



# TAILORED TO YOUR COMFORT



**FS 2900-EEA**  
Full plastic



**FS 2900-EFA**  
Plastic backrest  
and fabric seatrest



**FS 2900-FFA**  
Full fabric

## STACK CHAIRS WITHOUT CASTORS



**FS 2900C-EEA**  
Full plastic



**FS 2900C-EFA**  
Plastic backrest  
and fabric seatrest



**FS 2900C-FFA**  
Full fabric

## STACK CHAIRS WITH CASTORS



**FF 2900C-EEA**  
Full plastic



**FF 2900C-EFA**  
Plastic backrest  
and fabric seatrest



**FF 2900C-FFA**  
Full fabric

## FLIP CHAIRS WITH CASTORS



**FS 2901-EEA**  
Full plastic



**FS 2901-EFA**  
Plastic backrest  
and fabric seatrest



**FS 2901-FFA**  
Full fabric

## FITZ CHAIRS WITH CASTORS



**FS 2900-EETA**  
Full plastic



**FS 2900-EFTA**  
Plastic backrest  
and fabric seatrest

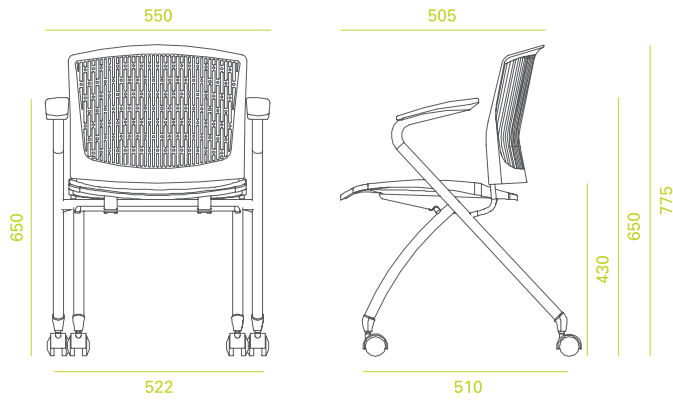


**FS 2900-FFTA**  
Full fabric

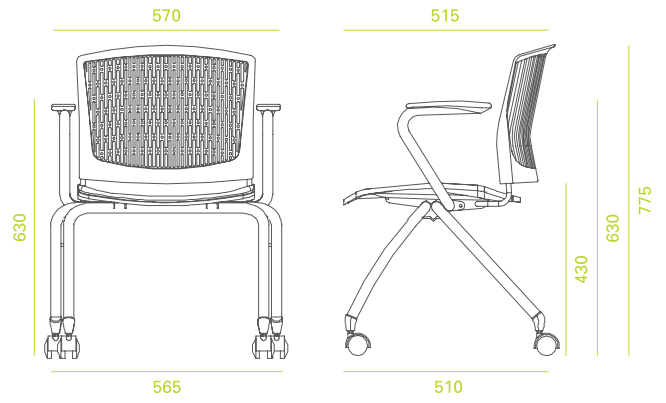
## FITZ CHAIRS WITH TABLET ARM



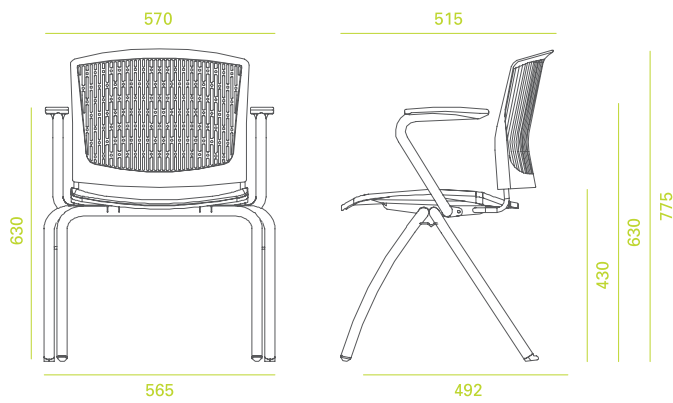
# DIMENSIONS AND SPECIFICATIONS



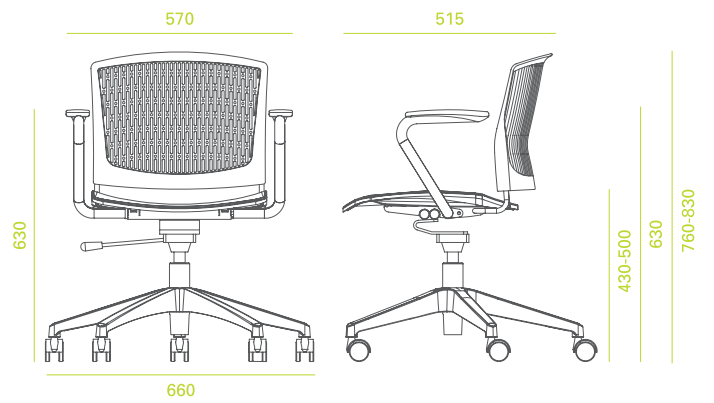
**FF 2900C-EEA**



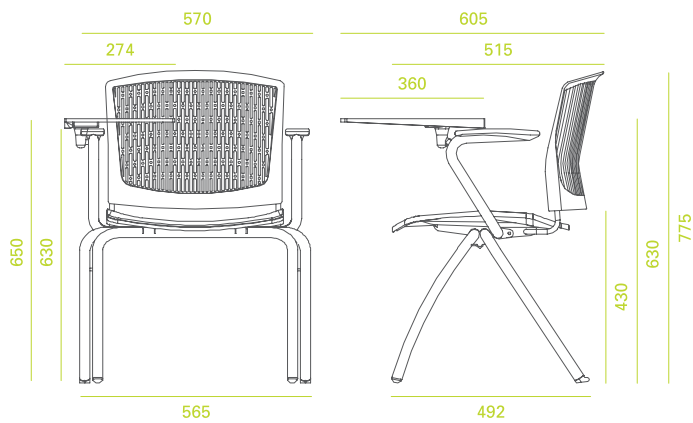
**FS 2900C-EEA**



**FS 2900-EEA**



**FS 2901-EEA**



**FS 2900-EETA**



EURO CHAIRS MANUFACTURER (M) SDN BHD 164921 - X  
EURO CHAIRS SYSTEM SDN BHD 121935 - M  
EURO SPACE INDUSTRIES (M) SDN BHD 105420 - W  
EURO SPACE SYSTEM SDN BHD 378220 - D  
EUROSTEEL LINE SDN BHD  
EUROSTEEL SYSTEM SDN BHD 885526 - M

Wisma Euro, Lot 21, Rawang Industrial Estate,  
48000 Rawang, Selangor Darul Ehsan, Malaysia.

telephone +603 6092 6666  
domestic fax +603 6092 2500  
international fax +603 6092 3000  
website www.eurochairs.com  
www.eurosteelline.com  
email sales@eurochairs.com  
sales@eurosteelline.com



ISO 9001 : 2000  
ISO 14001 : 2004  
OHSAS 18001 : 2007  
CERTIFIED FIRM



**MALAYSIAN FURNITURE  
LEADERSHIP AWARD 2009**  
(Brand Excellence Award)  
(Product Excellence Award)



**ASIAN FURNITURE  
LEADERSHIP AWARD 2009**



**MALAYSIAN FURNITURE  
LEADERSHIP AWARD 2009**  
(Entrepreneur Of The Year)



**THE BRANDLAUREATE  
SMES MASTERS AWARD 2009**  
Best Brand Award  
(Manufacturing Office  
Furniture Category)